

**Description** Diaphragm back pressure regulators protect pneumatic devices against overpressure. If the pressure exceeds the setpoint, the pressure valve exhausts to the atmosphere until the pressure level is below the setpoint. It is advisable to select the pressure range as near as possible to the maximum setpoint.

**Media** compressed air or non-corrosive gases

**Recommendation** connection thread G½ for pressure range 0...35 / 140 / 280 mbar

**Overpressure** max. 4 bar

**Accuracy** response sensitivity <2 mbar

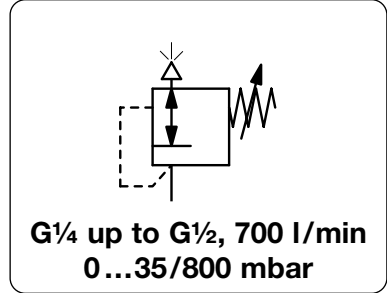
**Adjustment** by handwheel with locknut

**Gauge port** G¼ on both sides of the body, screw plugs supplied

**Mounting position** any

**Temperature range** 0 °C to 90 °C / 32 °F to 194 °F, for appropriately conditioned compressed air down to -40 °C / -40 °F

**Material** Body: aluminium die-cast  
Elastomer: NBR/Buna-N, optionally FKM  
Inner valve: stainless steel and brass



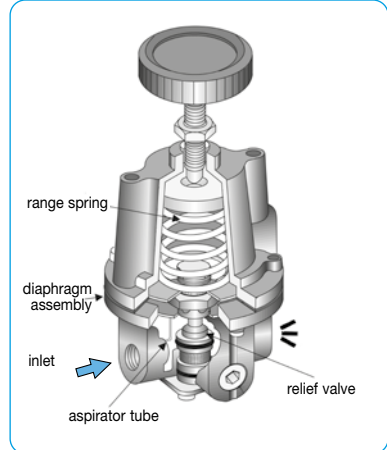
Dimensions			Relief capacity l/min*1	Over-pressure max. bar	Connection thread G	Adjustment range mbar	Order number	D*
A	B	C						

Low back pressure regulator							overpressure max. 4 bar	DB110
67	180	25	700	4	G¼	2... 35	DB110-020	
						2... 140	DB110-02A	
						2... 280	DB110-02B	
						2... 400	DB110-02C	
						2... 800	DB110-02D	
67	180	25	700	4	G½	2... 35	DB110-040	
						2... 140	DB110-04A	
						2... 280	DB110-04B	
						2... 400	DB110-04C	
						2... 800	DB110-04D	



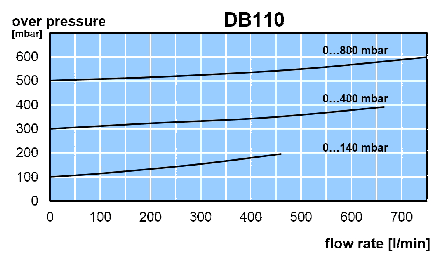
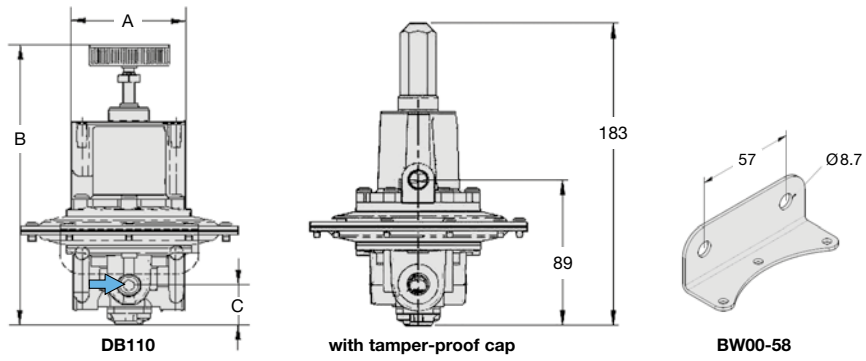
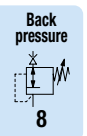
**Special options, add the appropriate letter**

G¾	connection thread	DB110-03.
NPT	connection thread	DB110-0.. N
FKM elastomer		DB110-0.. V
tamper-proof cap	aluminium, adjustment by screwdriver, total height 183 mm	DB110-0.. T



**Accessories, enclosed**

pressure gauge	Ø 63 mm, 0...*2 mbar, G¼, capsule type	MA6302-...*2
	Ø 63 mm, 0... 1 bar, G¼, Bourdon tube	MA6302-01
connecting parts gauge	at NPT connection thread, adapter ¼" NPT - G¼i	VP-0202N
mounting bracket	made of steel	BW00-58



\*1 at 200 mbar overpressure and open outlet  
\*2 B6 = 0...60 mbar, C2 = 0...160 mbar, C3 = 0...250 mbar, C4 = 0...400 mbar